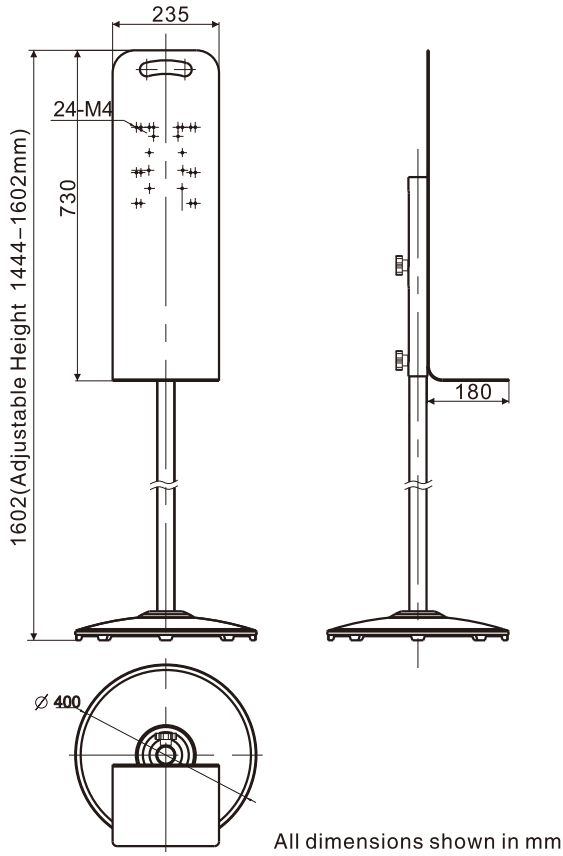
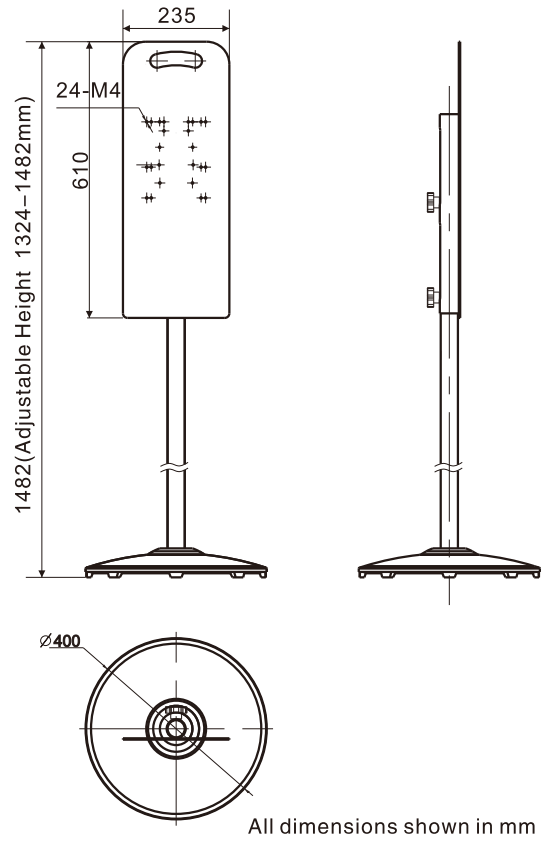


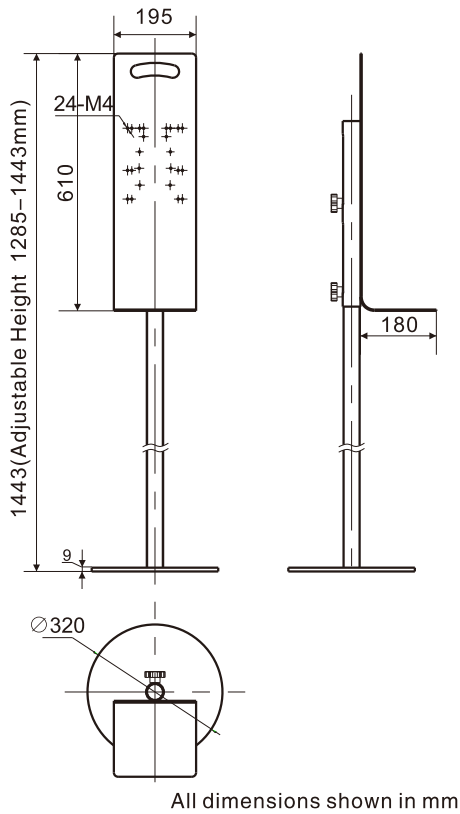
# 一、Product Size



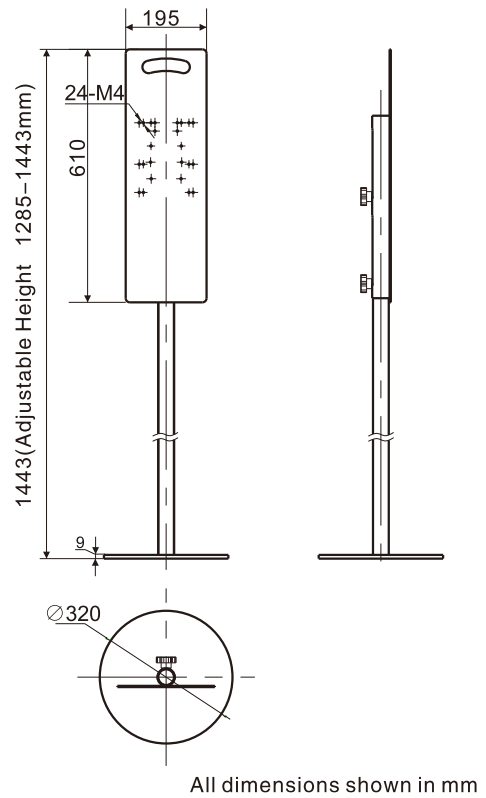
ZJ-235L Stand Size



ZJ-235I Stand Size



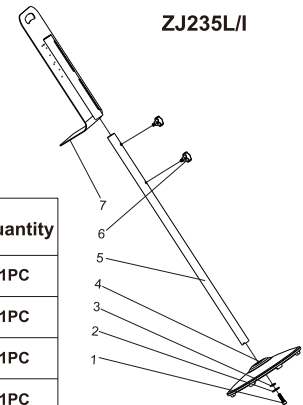
ZJ-195L Stand Size



ZJ-195I Stand Size

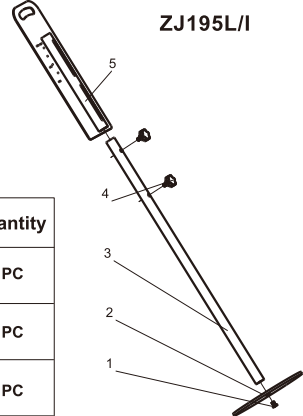
## 二、Material list

	Material name	Quantity
1.	Hexagonal head bolt M12x50	1PC
2.	M12 Flat washer	1PC
3.	M12 Spring washer	1PC
4.	ZJ-235I Base plate	1PC
5.	ZJ-235I Main pole	1PC
6.	Lock bolt	2PCS
7.	Back Plate	1PC
8.	Accessories	



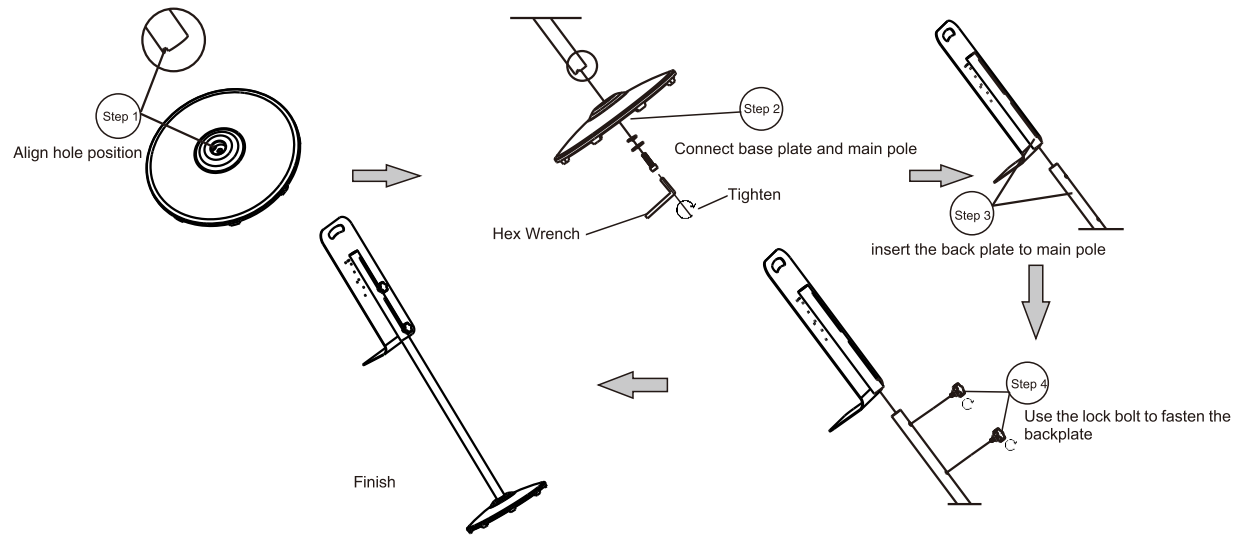
**ZJ235L/I**

	Material name	Quantity
1.	Hexagonal head bolt M12x20	1PC
2.	ZJ-195I Base plate	1PC
3.	ZJ-195I Main pole	1PC
4.	Lock bolt	2PCS
5.	Back Plate	1PC
6.	Accessories	



**ZJ195L/I**

## 三、ZJ235L/I Installation steps



Step 1: Align hole position

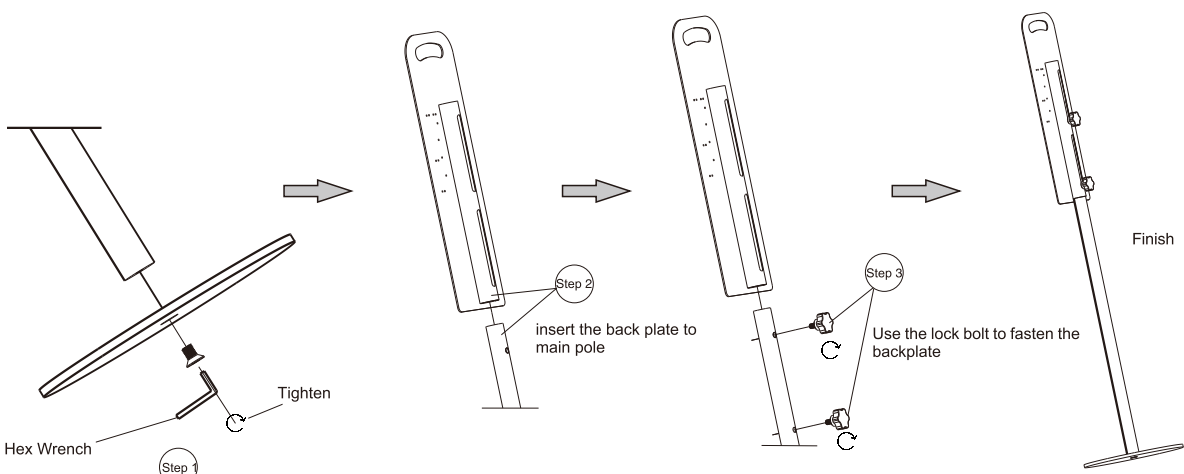
Step 2: Connect base plate and main pole  
Hex Wrench  
Tighten

Step 3: insert the back plate to main pole

Step 4: Use the lock bolt to fasten the backplate

Finish

## ZJ195L/I Installation steps



Step 1: Tighten  
Hex Wrench

Step 2: insert the back plate to main pole

Step 3: Use the lock bolt to fasten the backplate

Finish